



MUURIKKA™

MORE THAN GRILLING



@tinskunkeittiossa



@lottasorman



@aronssons_bbq

SHARE WITH



#MUURIKKA



@fredikrosell



@mia_and_nuka



@marjatjamikonpojat

#muurikka

Outdoor Cooking at Its Best



@eddabehncke



@campfiregrup



@mapepoyhtari

We at Muurikka have been working for outdoor cooking for decades. Muurikka products gather people together to enjoy cooking and eating good food. We keep searching for new ways of creating unforgettable moments. Muurikka gives the perfect opportunity to come together around the fire, cook good food, and just enjoy the outdoors and each others company! We are still continuing these great Finnish traditions with our wide selection of products designed and developed for leisure and outdoor use. With sustainable processes, we manufacture functional, high-quality products that make outdoor cooking a pleasure. We work hard to make Muurikka experiences known in other countries. The result is that more and more people gather around Muurikka to eat and be happy.

MUURIKKA ELECTRIC SMOKING OVEN 20 YEARS

This year the classic Muurikka Electric Smoking Oven is twenty years old. The years gone by show not only the long traditions of Muurikka, but also a strong desire to develop and create new things. The Muurikka Electric Smoking Oven has been given the right to use the Key Flag Symbol in recognition of a product made in Finland and also the Design from Finland mark for unique, original Finnish design and craftsmanship

The original and genuine Muurikka Electric Smoking Oven originated in the town of Mikkeli as early as 1998 when it was discussed how it could be possible to smoke food in gardens where open fires cannot be made. The very first original and genuine cylindrical electric smoking oven was launched in 1999. It didn't take long for the smoking oven to become a hit product, and its popularity has just been growing since then.

Feedback and ideas from customers are some of our most important sources of inspiration for our product design. We develop and improve our products in

cooperation with customers. The electric smoking oven has also been developed over the years. In honour of the 20-year anniversary, we introduce a new model – the Muurikka Electric Smoking Oven PRO 1200 W with two smoking levels and temperature control. We started developing this PRO model because some of our customers came up with the idea of electric smoking ovens with and without temperature control features.

All Muurikka Electric Smoking Ovens are carefully assembled and tested in Finland to ensure the high quality, safety and durability of the smoking ovens. To ensure that our products resist wear and tear, we keep a wide selection of spare parts for our products in stock. You can look forward to easy and successful cooking every time.

In this brochure you will find many new products and inspiration for outdoor cooking – throughout the year. Welcome to the world of Muurikka!







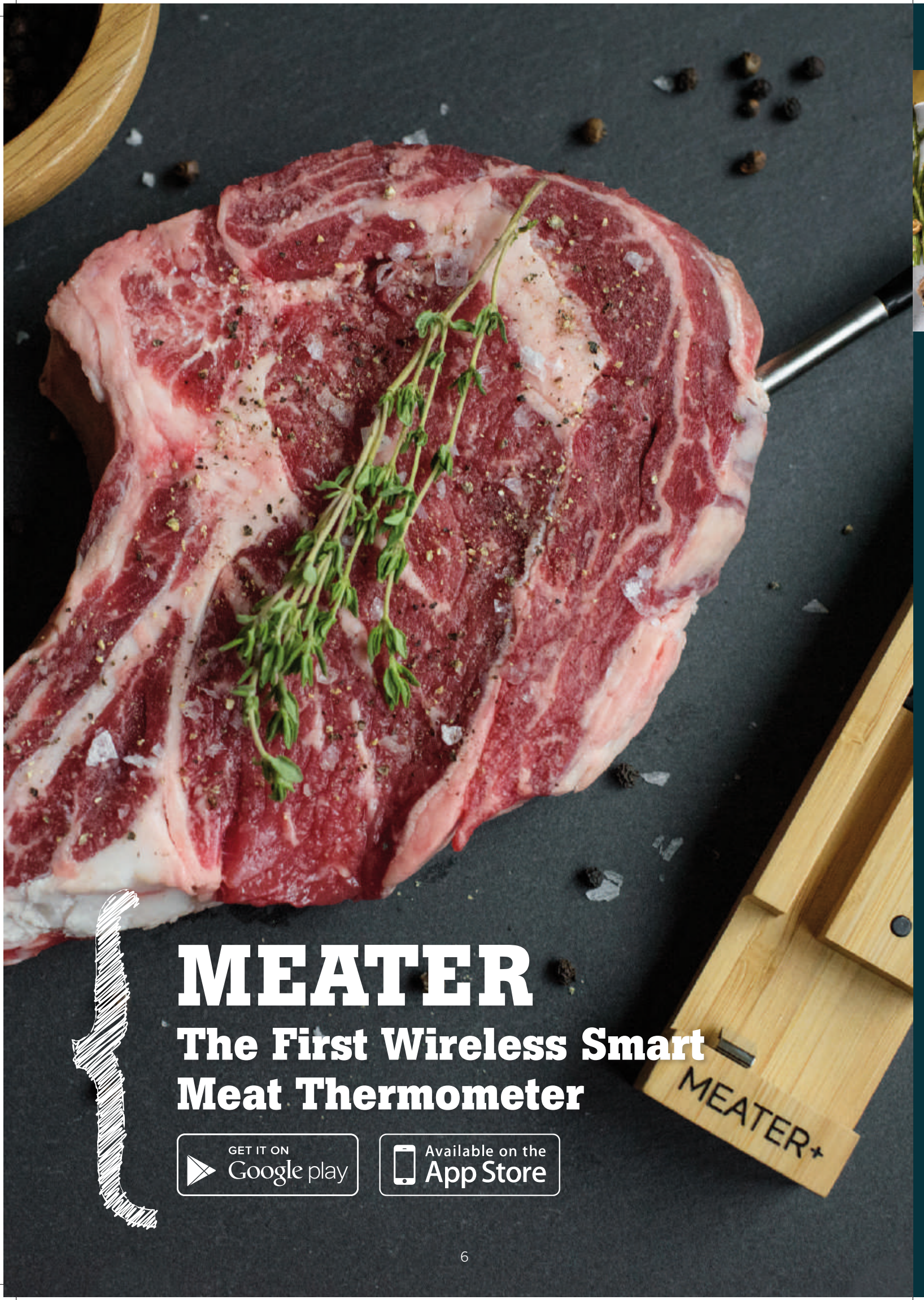
Table of Contents

MUURIKKA

MEATER, THE FIRST WIRELESS SMART MEAT THERMOMETER	6
SMOKING	8
SUMMER KITCHENS	12
MUURIKKA RECIPES	15
ELECTRIC GRILL	18
MUURIKKA SETS AND GAS BURNERS	20
MUURIKKA PANS	24
OUTDOOR AND PICNIC	28
ACCESSORIES	32

TUNDRA GRILLS®

TUNDRA GRILL OUTDOOR FIREPLACES	36
CHIMNEY SET	46
SIDE TABLES	48
FIREPLACE BOWLS AND FLOOR PROTECTION SHEETS	50
EQUIPMENT	52
TUNDRA GRILL RECIPES	55

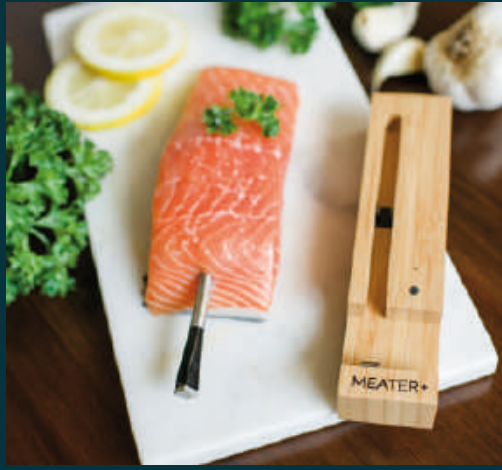


MEATER

**The First Wireless Smart
Meat Thermometer**

GET IT ON
 Google play

Available on the
 App Store



The First Wireless Smart Meat Thermometer

No wires. No fuss. The First Wireless Smart Meat Thermometer- Achieve perfect and consistent results every time with MEATER.

MEATER is a truly wireless smart meat thermometer that will help you cook your food to perfection every time. Simply follow the Guided Cook system using MEATER's free app (available for iPhone, Android, Kindle fire and Alexa skill) and you'll be cooking restaurant quality meals at home in no time.

MEATER



MEATER is a truly wireless smart meat thermometer that will help you cook your food to perfection every time. Connect your MEATER through Bluetooth to WiFi or the Cloud via MEATER Link for extended wireless range. Works with the oven, grill even a smoker.

Meater TO6800

MEATER+



MEATER+ is improved version of it's predecessor, now with considerably better Bluetooth range. Works with the oven, grill even a smoker. Connect your MEATER+ through Bluetooth to WiFi or the Cloud via MEATER Link for extended wireless range.

Meater+ TO6801

MEATER



WIRELESS CONNECTION
UP TO 33 FEET / 10 METRES

MEATER+



WIRELESS CONNECTION
UP TO 160 FEET / 50 METRES

AUTHENTIC & ORIGINAL

MUURIKKA

ELECTRIC SMOKING OVEN

20 YEARS



EST. 1999

SMOKING

In our wide selection of Muurikka smoking ovens and smoking equipment, you will find all you need for a successful smoking experience. Whether you use open fire or electricity, a smoky flavour will make starters, main courses and desserts rich and delicious.



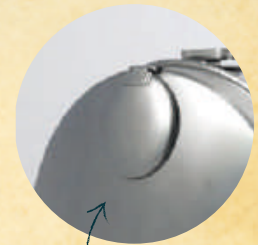
DESIGN[®]
FROM
FINLAND



Muurikka Electric Smoking Oven PRO 1200 W
TO6825



Thermometer



Air Flow Regulator

MUURIKKA ELECTRIC SMOKING OVEN PRO

PRO is a new and even more versatile version of the original and genuine Muurikka Electric Smoking Oven. Smoke fish, meat, vegetables, game, shellfish..

Smoking adds a fascinating extra flavour to pork tenderloin, breast fillets of turkey and chicken, lamb and mutton as well as all game meat. Thanks to the temperature regulation feature of the Muurikka Electric Smoking Oven PRO, it is now possible to cook delicate foods in the smoking oven preserving the richness of the ingredients. With the thermometer, you watch the smoking temperature, and extra smoke and moisture go out through the ventilation valve in the oven.

TEMPERATURE REGULATION

- With the stepless temperature regulation it is easy to adjust the oven temperature for different kinds of food.

VENTILATION VALVE

- Surplus moisture goes out of the oven through the ventilation valve.

THERMOMETER

- With the thermometer on the oven you can watch the temperature in the oven while using it.


Position 1 = 75-110 °C
 Position 2 = 150-185 °C
 Position 3 = 190-230 °C



Muurikka Electric Smoking Oven PRO 1100 W
TO6824


MUURIKKA ELECTRIC SMOKING OVEN PRO 1100 W

Electric Power: 1100 W
 Material: stainless steel
 Size: Ø25 cm length 50 cm
 Weight: 6,7 kg

 24 cm x 42 cm

MUURIKKA ELECTRIC SMOKING OVEN PRO 1200 W

Electric Power: 1200 W
 Material: stainless steel
 Size: Ø28 cm length 55 cm
 Weight: 7,2 kg

 24 cm x 48 cm
 25 x 48 cm





PROTECTIVE COVER FOR ELECTRIC SMOKING OVENS

Easy to put on the Muurikka Smoking Oven. Protects against dirt and moisture; not waterproof.

- Hood for Original 1100W to6847
- Hood for Original 1200W to6848

MUURIKKA ELECTRIC SMOKING OVEN - ORIGINAL AND GENUINE



Since 1999, the genuine Muurikka Electric Smoking Oven has been recognizable by the stamp "Genuine Muurikka Product". With smoking chips, the high-quality Muurikka Electric Smoking Oven works as a ready-to-use smoking oven, and without smoking chips, it is a versatile grill and outdoor oven throughout the year. You can prepare fish, meat, sausages and vegetables in no time, with or without smoke. One package contains smoking instructions, a small bag of smoking chips, a recipe booklet and a protective hood to protect your smoking oven against dirt and moisture.



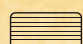
Muurikka Electric Smoking Oven 1100 W TO6846



Muurikka Electric Smoking Oven 1200 W TO6845

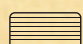
MUURIKKA ELECTRIC SMOKING OVEN 1100 W

Electric Power: 1100 W
Material: stainless steel
Size: Ø25 cm, length 50 cm
Weight: 5,6 kg

 24 cm x 42 cm

MUURIKKA ELECTRIC SMOKING OVEN 1200 W

Electric Power: 1200 W
Material: stainless steel
Size: Ø28 cm, length 55 cm
Weight: 6,7 kg

 24 cm x 48 cm
 25 x 48 cm

SMOKE & GRILL

MUURIKKA ELECTRIC GRILL & SMOKING OVEN

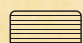
Muurikka Nokkela Electric Grill and Smoking Oven is suitable for versatile outdoor cooking, grilling and smoking, both in summer and in winter. It is easy, fast and tidy. You can use Muurikka Nokkela both as a grill and as a smoking oven, and can conjure up delicious smoked and grilled foods, e.g. fish, meat, seafood, and vegetables. When the resistor is fastened to the lower part, you can use Muurikka Nokkela as a smoking oven. When the resistor is fastened to the upper part, it is above grilled food, and Muurikka Nokkela can now be used as a smokeless grill.



Muurikka Electric Grill & Smoking Oven 1200 W TO6823

MUURIKKA NOKKELA ELECTRIC GRILL AND SMOKING OVEN 900 W

Electric Power: 900 W
Material: stainless steel
Size: 45,5 cm x 30 x 37,5 cm
Weight: 3,5 kg

 34 x 22 cm

MUURIKKA NOKKELA ELECTRIC GRILL AND SMOKING OVEN 1200 W

Electric Power: 1200 W
Material: stainless steel
Size: 59 cm x 37,5 x 44 cm
Weight: 6,2 kg

 43 x 25 cm



Muurikka Electric Grill & Smoking Oven 900 W TO6841

Muurikka Accessories



MUURIKKA SMOKING CHIPS

Apple Smoking Chips add colour and a lightly sweet flavour; for fish, poultry, pork or even vegetables! **Cherry Smoking Chips** add colour and a lightly sweet fruity flavour; for fish, poultry, pork or game. **Oak Smoking Chips** add colour and a strong smoky flavour; for fish, mutton, game and other dark meats or even cheese! **Beech Smoking Chips** add colour and a medium-strong smoky flavour; for smoking fish, pork or game.

Muurikka Apple Smoking Chips TO6710 • Muurikka Cherry Smoking Chips TO6711
Muurikka Beech Smoking Chips TO6713 • Muurikka Oak Smoking Chips TO6712

MUURIKKA SMOKING CHUNKS

Brandy/Whisky/Cognac smoking chips are ideal for charcoal and gas barbecues, electric smoking ovens and other smoking ovens. The chips are made from oak barrels in which strong spirits from Rioja and other regions in Spain, and also from France and Portugal, have been aged. In the manufacturing process, the aroma, taste and other important culinary characteristics are preserved. The smoking chips are ideal for smoking all kinds of food – meat, vegetables, fish, pizzas, desserts etc. get a delicious smoky flavour.



Muurikka Whiskey Smoking Chunks TO6716 • Muurikka Cognac Smoking Chunks TO6717
Muurikka Brandy Smoking Chunks TO6718



1 Muurikka Smoking Container

Round shaped Smoking Container is ideal for Muurikka Summer Kitchen Gas and Electric, which both provide constant and easily regulated temperature for smoking of food. Suitable also for open fire.

Muurikka Smoking Container TO6821

Ø 40 CM

2 Muurikka Smoking Box

Can be used in many ways: over open fire, and on a gas or charcoal grill. Smoking Box has two griddles and one fat plate.

Muurikka Smoking Box TO6861

23 x 39 cm 2 pcs.

3 Muurikka Smoking Chips of Alder

2 l & 10 l

Muurikka Smoking Chips of Alder TO6863/TO6862

4 Muurikka Grill and Smoking Basket

With the Basket you can grill even small bits of food easily without a risk of food falling down from the griddle. The Basket has a non-stick surface which makes it easier to grill e.g. fish or chicken with skin. The Basket is easy to keep clean, and it can be washed in a dishwasher.

Muurikka Grill and Smoking Basket 20010-1



SUMMER KITCHENS

For your Summer Kitchen, we have a wide variety of accessories with which you can make it the Summer Kitchen that fits your needs. You can smoke, boil, grill or prepare a paella or a wok for a bunch of people! The wheels make it easy to move the cart, and the side shelves provide extra space for cooking. The side shelves can be folded down to make the cart fit into a small space. The cart also has plenty of storage space for various accessories and equipment, e.g. pans or a smoking container. The side shelves can be folded down.





Summer Kitchen GAS black
T06830M

MUURIKKA SUMMER KITCHEN GAS

Dimensions: 135 x 60 x 95 cm

Summer Kitchen GAS is quick, versatile and convenient for outdoor cooking. With it you can easily cook summer dishes, e.g. meat, fish, sausages, vegetables, sea food... and of course Muurikka Pancakes for dessert!

Summer Kitchen GAS has Muurikka Gas Burner D-300 (6,5 kW) with one gas ring as a heat source, and the Original Muurikka Pan Ø 48cm for outdoor cooking.

Muurikka Summer Kitchen GAS

Summer Kitchen Cart Basic • Muurikka Gas Burner D-300 • Original Muurikka Pan Ø 48 cm with a cover bag • Muurikka Lid Ø 44 cm

Size: 121 cm x 60 cm x 95 cm (width x depth x height) Weight: 20,3 kg

1 🔥 🍳 6,5kW 🍳 48 CM ● ●



Summer Kitchen GAS grey
T06830G

**USE YOUR SUMMER
KITCHEN WITH COMPATIBLE
MUURIKKA PRODUCTS.**

**More
information
on page 17.**



MUURIKKA SUMMER KITCHEN GAS MAXI

Dimensions: 135 x 74 x 100 cm

The Summer Kitchen Cart GAS Maxi has now wider storage shelves for accessories and supplies, as well as for Original Muurikka Pans and Lids.

Summer Kitchen GAS Maxi has Muurikka Gas Burner D-400 (11,4kW) with two gas rings as a heat source. With the Original Muurikka Pan Ø 58 cm you can easily do outdoor cooking for a large group of people.

2 🔥 🍳 11,4kW 🍳 58 CM ● ●



Summer Kitchen Gas MAXI black TO6832M

Muurikka Summer Kitchen GAS Maxi

Summer Kitchen Cart Maxi • Muurikka Gas Burner D-400 • Original Muurikka Pan Ø 58 cm with a cover bag Muurikka Lid Ø 58 cm

Size: 134,5cm x 74 cm x 100 cm (width x depth x height)

Weight: 31,4 kg



Summer Kitchen Gas MAXI grey TO6832G

MUURIKKA SUMMER KITCHEN ELECTRIC

Dimensions: 135 x 52 x 92 cm

Muurikka Summer Kitchen ELECTRIC is fast and very easy to use. With it you can cook all kinds of Muurikka delicacies, either on the griddle or use Original Muurikka Pans.

Summer Kitchen ELECTRIC has Muurikka Electric Grill (2200W) as a heat source, and the Original Muurikka Pan Ø48cm for outdoor cooking.

⚡ 2200W 🍳 Ø 40 CM 🍳 48 CM ● ●

Muurikka Summer Kitchen ELECTRIC

Summer Kitchen Cart Basic • Muurikka Electric Grill with thermostat, drip tray, short legs and Lid Ø 42 cm • Original Muurikka Pan Ø 48 cm with a cover bag

Size: 121cm x 52 cm x 92 cm (width x depth x height)

Weight: 22,8kg



-Summer Kitchen ELECTRIC black TO6831M



Summer Kitchen ELECTRIC grey TO6831G

Slow smoked pork neck with onions, gremolata sauce à la Henri Alén

- 600 g pork neck
- 6 yellow onions

SPICES TO BE MIXED:

- 2 tsp crushed black pepper
- 1 tsp paprika
- 0,5 tsp cumin
- 1 tsp dried thyme
- 1 tbs salt
- 2 tbs brown sugar

GREMOLATA SAUCE:

- 3 pots of flat leaf parsley
- 2 peeled cloves of garlic
- 1 lemon (the juice)
- 1 dl olive oil
- black pepper
- a pinch of salt

The recipe has been used with Muurikka Electric Smoking Oven PRO.



Wipe the pork dry and mix the spices together. Rub the mixture carefully into the entire pork. Prick some holes in the onions with a knife and place the onions on a foil on the smoking rack. Also place the pork on the smoking rack and into the smoking oven. Place a handful of smoking chips in the smoking oven and start smoking at position 3 until smoke begins to form. Smoke for about 20 minutes and then set the power to position 1 and smoke the pork for three and a half hours or until the oven temperature is 80-85 °C.

SAUCE:

Chop the parsley coarsely and put it in a bowl. Add the rest of the ingredients and mix into a pulp with a stick blender. Serve at room temperature with the pork and onions.

Slice the pork with a sharp knife. Cut the onions open so the pulp can be spooned out easily. Enjoy with gremolata and a fresh salad.



Smoked chicken halves seasoned with thyme and sage à la Henri Alén

- 1 whole chicken
- 1 lemon
- 4 sprigs of thyme or lemon thyme
- 8 sprigs of sage
- crushed black pepper
- 1 tsp smoked paprika
- 2 onions
- 2 carrots
- 4 whole cloves of garlic
- salt
- a little olive oil

Split the chicken lengthwise with solid scissors. Wash the lemon. Grate the peel and squeeze the juice into a bowl. Chop and add the herbs into the bowl along with the crushed black pepper and the paprika. Add a little olive oil to the marinade. Leave the chicken halves in the marinade for at least two hours. Peel and cut up the carrots and the onions. Peel and split the cloves of garlic.

Fold a bed of foil for the chicken halves on the smoke grating. Make a bed of the vegetables and place the chicken halves on the bed. Start smoking at position 3. Smoke for 20 minutes until smoke begins to form. Then drop the power to position 2 and smoke the chicken halves for about 90 minutes. Finally season with salt.

The recipe has been used with Muurikka Electric Smoking Oven PRO.



MUURIKKA SUMMER KITCHEN CART

Dimensions: 135 x 47 x 78 cm

Muurikka Summer Kitchen Carts have metal frame and lots of storage space for accessories and supplies. Wooden side tables are foldable and available in various colours.



Summer Kitchen Cart BASIC black TO792M



Summer Kitchen Cart BASIC grey, to792G



PROTECTIVE COVER FOR MUURIKKA SUMMER KITCHEN

Elegant and durable Protective Cover protects Summer Kitchen and Carts from dust and moisture. The lower edge of the Cover has a foldable extension with velcro-type strap closing for using the Cover on top of Summer Kitchen Electric or Gas.

Hood for Summer Kitchen Cart to6910

MUURIKKA™ Summer Kitchen

Use your Muurikka Summer Kitchen with compatible Muurikka Products.

Summer Kitchen Casserole



15 l



15 l



Grilster



42 cm

Smoking Container



42 cm



42 cm



42 cm

Paella Pan Steel

Paella Pan, Non-Stick



40 cm • 50 cm



40 cm • 50 cm



50 cm

46 cm

Muurikka Carbon Steel Paella Pan



45 cm



45 cm



45 cm

Wok Pan Steel



40 cm



40 cm • 50 cm • 60 cm



50 cm

Muurikka Wok Pan



42 cm



42 cm



Muurikka Grill Pan



42 cm



42 cm



42 cm

Muurikka Griddle Pans



38 cm • 48 cm • 58 cm



38 cm • 48 cm • 58 cm



48 cm • 58 cm

Muurikka Multifunctional Pan



41,5 cm



41,5 cm



41,5 cm

Muurikka Paella Pan



45 cm



45 cm



45 cm

Summer Kitchens



SUMMER KITCHEN GAS



SUMMER KITCHEN GAS MAXI



SUMMER KITCHEN ELECTRIC

A man with a beard, wearing a dark vest over a plaid shirt, is grilling on an electric grill. Two women are watching him; one is holding a water bottle and the other is laughing. They are outdoors under a large umbrella. The grill is on a stand with wheels and has a drip tray underneath. The background shows a wooden building and a window.

ELECTRIC GRILL

A very efficient electric grill even for a discriminating user – it heats up quickly and, with its stepless power control, it is ideal for many kinds of grilling. The grill is extremely easy to keep clean – under the grill grating is a drip tray that catches dripping fat. You can add various accessories to your electric grill. On top of the grill you can keep some Muurikka pans, a grilster and a smoking container.

Pleasure with grilling -in the garden, terrace and balcony

Very efficient

The grill reaches a constant temperature instantly. Accurately adjustable – suitable for all foods to be grilled.

Ready to Grill in
3min

Clean grilling

The easily replaceable drip tray under the grating catches dripping fat.



Drip Tray for Muurikka Electric Grill to687

Add accessories to your grill

On top of the grill you can have different Muurikka accessories!



Muurikka Classic Electric grill TO6820/ST

MUURIKKA CLASSIC ELECTRIC GRILL 2200 W Dimensions: 100 x 52 x 83 cm

With the easily moved Muurikka Electric Grill Classic, you can cook delicious vegetables or beautiful brown steaks. An extremely efficient electric grill, it is suitable for any cook – it heats up instantly and with its stepless power control it can be used for many kinds of grilling. The compact, solid grill fits into small spaces, e.g. in the balcony, the side shelves are detachable. The mid shelf can be used for storing e.g. spices. Ready for use in three minutes!

- An efficient electric grill with 2200 W power, heats up quickly and constantly, easily adjustable temperature
- The cart is made of black painted steel, wooden side shelves.

2200W Ø 40 CM

MUURIKKA ELECTRIC GRILL

This multifunctional Electric Grill is a versatile grill for outdoor cooking. Muurikka Electric Grill has a lid of stainless steel, one griddle, and a drip tray of aluminium foil.

Material: stainless steel • **Electric Power:** 2200 W
Size: Ø 42 cm • **Weight:** 6,7 kg

2200W

Ø 40 CM

Muurikka Electric Grill TO6820.P



MUURIKKA GRILSTER

With Muurikka Grilster steaks, chickens, fish, sausages or toasts are easy to grill on both sides, as when turning with grilster there is no risk of food falling down. Grilster can be used on all kind of grills and over an open fire. When opened, Grilster can be used as an ordinary griddle.

Size: Ø 40 cm.



Muurikka Grilster, to6817

1. DRIP TRAY FOR MUURIKKA ELECTRIC GRILL 5 pcs.

Tray prevents food and fat dripping and cooking onto the bottom of the grill. It also helps to keep grill clean.

Package: 5 pcs.



MUURIKKA SETS AND GAS BURNERS

A Muurikka Set provides you with all you need for successful outdoor cooking. You can add various accessories to a set. The efficient gas burners heat up quickly and the power is easy to adjust. The windshield keeps the flame from going out too easily.

Muurikka Sets

A high-quality Muurikka Set provides you with all you need for successful outdoor cooking. The sets include a pan, a gas burner with long legs as well as Silava Frying Fat for seasoning the pan before the first use.

Muurikka Accessories
on page
32-35.



Muurikka Set 48

Set includes Muurikka Gas Burner D-300 with long legs, Muurikka Griddle Pan 48 cm in a Cover Bag, and one Tube of Muurikka Silava Frying Fat.

Weight: 10,95 kg

1 🔥 🐾 6,5kW 🌀 48 CM

Muurikka set 48 01010101.1/L



Muurikka Set 58

Set includes Muurikka Gas Burner D-400 with long legs, Muurikka Griddle Pan 58 cm in a Cover Bag, and one tube of Muurikka Silava Frying Fat.

Weight: 13,45 kg

Muurikka set 58 01010102.1/L

2 🔥 🐾 11,4kW 🌀 58 CM



Muurikka Set 78

Set includes Muurikka Gas Burner D-500 with long legs, Muurikka Griddle Pan 78 cm, protective cover, and one tube of Muurikka Silava Frying Fat.

Weight: 20,20 kg

Muurikka set 78 01010115.1/L

2 🔥 🐾 14,1kW 🌀 78 CM



Muurikka Paella Set

Set includes Muurikka Gas Burner D-300 with long legs, Muurikka Paella Pan in a Cover Bag, and one tube of Muurikka Silava Frying Fat.

Weight: 11,4 kg

Muurikka Paella Set 01010103.1/L

1 🔥 🐾 6,5kW 🌀 48 CM

PROTECTIVE COVER FOR MUURIKKA SETS

Protects the whole Set, both Pan and Gas Burner, against dirt and moisture; not waterproof.

Cover for Set 48, 58, Paella

Cover for Set 78



Cover for Set 48, 58, Paella 10101113
Cover for Set 78 10101116

Muurikka 100 and 120



Muurikka 100 Original, 01010104
Muurikka 120 Original, 01010120



Muurikka set 100 01010114/L
Muurikka set 120 01010121/L

MUURIKKA 100 ORIGINAL

Muurikka 100 Original is a perfect for outdoor cooking at large events and festivals, but ideal also for professional use at restaurants and in catering. You can cook any kind of food, like e.g. meat, fish, vegetables, paella, and of course Muurikka Pancakes.

Muurikka 100 original Pan has a fixed windshield of steel, and three strong screw-in steel legs. The Muurikka Pan has four handles for lifting, and fastening hooks for Muurikka D-500 gas burner.

● 100 CM

MUURIKKA 120 ORIGINAL

The largest in the set, this pan is ideal for a large bunch of people, but also suitable for a family. A versatile pan for almost any kind of outdoor cooking! A fixed windshield of steel and threaded pipe legs. The handles make lifting easy. Fastening hooks for the separately available D-600 gas burner.

● 120 CM

MUURIKKA SET 100

Muurikka 100 Original is a perfect for outdoor cooking at large events and festivals, but ideal also for professional use at restaurants and in catering. You can cook any kind of food, like e.g. meat, fish, vegetables, paella, and of course Muurikka Pancakes.

Muurikka 100 original Set has Muurikka Pan, fixed windshield of steel, three strong screw-in steel legs, Muurikka D-500 gas burner, two side tables and a protective hood.

3 🔥 ● 21kW ● 100 CM

MUURIKKA SET 120

The largest in the set, this pan is ideal for a large bunch of people, but also suitable for a family. The efficient D 600 gas burner with three gas rings and a power regulator heats up the pan quickly and constantly. A versatile set for almost any kind of outdoor cooking! A fixed windshield of steel and threaded pipe legs. The handles make lifting easy. The detachable wooden side shelves provide extra space for cooking. A protective cover is included.

3 🔥 ● 21kW ● 120 CM

PROTECTIVE HOOD FOR MUURIKKA 100/120

Protects against dirt and moisture; not waterproof.

Protective Hood for Muurikka set 100 01010111
Protective Hood for Muurikka set 120 01010122



Muurikka Gas Burners

GAS BURNER D-300

Compact Gas Burner D-300 (6,5 kW) with one ring is ideal for heating small-sized or medium sized pans.

1 🔥 🍷 6,5kW

Material: enamelled steel
Size: Ø 30 cm
Height with short legs: 21 cm
Height with long legs: 70 cm

Gas Burner D-300 with short legs, 01070116.1
Gas Burner D-300 with long legs 01070116



GAS BURNER D-400

Gas Burner D-400 (11,4 kW) has two gas rings which both can be regulated individually.

Ideal for heating different-sized pans, either on one or both gas rings.

2 🔥 🍷 11,4kW

Material: enamelled steel
Outer gas ring: Ø 40 cm
Inner gas ring: Ø 21 cm
Height with short legs: 21 cm
Height with long legs: 75 cm

Gas Burner D-400 with short legs 01070117.1
Gas Burner D-400 with long legs 01070117



GAS BURNER D-500

Gas Burner D-500 (14,1 kW) with two gas rings on which different sizes of pans heat up evenly and quickly.

2 🔥 🍷 14,1kW

Material: enamelled steel
Outer gas ring: Ø 50 cm
Inner gas ring: Ø 30 cm
Height with short legs: 21 cm
Height with long legs: 75 cm

Gas Burner D-500 01070118
Gas Burner D-500 with short legs 01070118.1
Gas Burner D-500 with long legs 01070119



D-600

The D-600 gas burner with its three gas rings and three power regulators can be used with one or more gas rings according to the size of the pan. With its large diameter, it is suitable for heating large pans.

3 🔥 🍷 21kW

Material: enamelled steel
Outer gas ring: Ø 60 cm
Middle gas ring: Ø 40 cm
Inner gas ring: Ø 30 cm

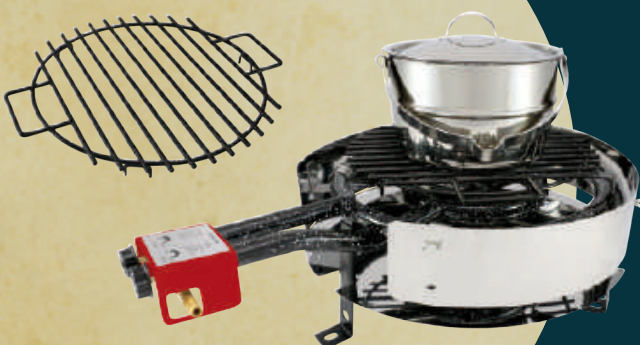


Gas Burner D-600 01070120

MUURIKKA GAS HOSE WITH SAFETY REGULATOR

Length 1.2 m, regulator 30 mbar, 2 hose clamps

Muurikka Gas Hose with safety regulator 01070140



MUURIKKA BOILING AND FRYING MAT FOR GAS BURNERS

This Mat enables the easy use of different-sized pots and pans on the top of Gas Burner D-300 and D-400.

Material: enamelled steel Ø 35 CM

Muurikka Boiling and Frying Mat for Gas Burners to693



MUURIKKA PANS

Original Muurikka Griddle Pans are manufactured in Finland since 1976. These versatile frying pans for outdoor cooking can be used over an open fire, on gas burners and on electric, charcoal and briquet grills. With Muurikka Griddle Pans you can cook anything from starters to desserts.





ORIGINAL MUURIKKA GRIDDLE PAN WITH COVER BAG

38 cm 48 cm 58 cm

Material: hot-rolled steel

Muurikka Griddle Pan 38 cm 01010138 • Muurikka Griddle Pan 01010105
Muurikka Griddle Pan 01010106



ORIGINAL MUURIKKA GRIDDLE PAN WITH LEGS

48 cm 58 cm 78 cm

With three 22 cm (30 cm) screw-in legs. Suitable for open fire. Packed in a carton box. **Material:** hot-rolled steel

Muurikka Griddle Pan with Legs 01010101 • Muurikka Griddle Pan with Legs 010101001
Muurikka Griddle Pan with Legs 01010115

MUURIKKA GRILL PAN

With the Grill Pan you fry or grill food with less fat. This pan keeps a constant temperature and resists rough handling. The reverse side that has no ridges, can be used for frying. Suitable for gas, open fire and for Muurikka Electric Grill.

Material: cast iron • **Size:** Ø 43 cm



Muurikka Grill Pan 1010180

MUURIKKA MULTIFUNCTIONAL PAN

Cast Iron Multifunctional Pan has seven round moulds of Ø 13 cm, and is especially suitable e.g. for pancakes, blinis, burger beefs and buns, frying eggs, cakes, etc. The Pan heats up evenly and remains warm for long time. Withstands even high heat and metal cooking tools. The surface is treated with palm grease. Suitable for open fire.

Material: cast iron • **Size:** Ø 41,5 cm



Muurikka Multifunctional Pan 1010181

MUURIKKA PAELLA PAN

With this Paella Pan you can cook all kinds of food, e.g. paella, and risotto. Cast-iron Paella Pan has an even bottom which ensures very good frying performance. The pan heats up evenly and remains warm for a long time. Withstands even high heat and metal cooking tools. The surface is treated with palm grease. Suitable for open fire. **Material:** cast iron



Muurikka Paella Pan 1010182

MUURIKKA SILAVA FRYING FAT

The Muurikka Silava Frying Fat is ideal for seasoning e.g. new Muurikka pans of hot-rolled steel and of cast iron. This pure natural product of pork fat and rapeseed oil, is easy to use and to dispense directly from the tube. Suitable also for frying food when giving a crisp surface.

Contents: 110g

Muurikka Silava Frying Fat 1110102



Muurikka Frying Spray 111330

MUURIKKA FRYING SPRAY

The Muurikka Frying Spray is ideal for all frying, roasting, and baking, as well as for greasing e.g. cake tins, pans and casseroles. When using frying fat in a spray form, less fat is needed in cooking. This spray is a vegan-product made of rapeseed oil and -lecithin.

Contents: 250 ml

Instructions for care, see p. 26

HERE'S HOW YOU TAKE CARE OF YOUR MUURIKKA PAN

Good care makes your Muurikka Pan lifelong. Though Muurikka Pans are made of sturdy and durable iron, also they need some care. With the followings instructions you can keep your pans in good condition year after year and they won't become rusty.

Taking a Muurikka Pan into use

Clean the new pan by washing it with mild detergent or hot water, heat the pan dry and make the fat treatment immediately after cleaning as follows: Wipe the pan with oil or spread evenly a thin layer of Muurikka Silava Frying Fat on the surface of the pan.

The fat may not flow onto the bottom of the pan thickly because when fat accumulates, it burns to an uneven mass.

Heat the pan hot with a gas burner, in an electric grill or over glowing embers so that the fat darkens and dries in the pan at least in the middle part of the pan.

You can wash the pan again and make the fat treatment again if necessary. You can repeat the greasing and heating until the pan turns black but this is not necessary; when used the pan still gets darker and more patinated.

Cleaning

Always clean the pan after use. The best way to clean the pan is immediately after use. Put a little water on the pan, boil up and clean the pan with a turner and kitchen paper.

Wipe the pan dry and grease the frying side lightly with cooking oil or unsalted Muurikka Silava Frying Fat.

Storage

Clean, dry and grease the pan before a longer storage by heating with Muurikka Silava Frying Fat (heating removes moisture from the pan and Silava prevents rusting). Keep the pan in a dry place.

If your Muurikka-Pan is rusty

If the pan has been exposed to moisture during storage and is rusty, don't worry. Rub the pan with steel wool or grill brush, clean and make the fat treatment according to the instructions on taking a Muurikka Pan into use. This way your pan is again in good condition.

Old trick with salt

When your Muurikka Pan is dirty or you want to clean the pan between dishes of different tastes, table salt is good means. Spread plenty of salt on the Muurikka Pan and keep on low heat for some minutes. Salt absorbs fat, moisture and dirt. After the dirt has been absorbed erase salt e.g. with a turner, put a little water on the pan and wipe the pan clean. Finally, remember to dry and grease the pan well. This way your Muurikka Pan is again as good as new.

COVER BAG FOR MUURIKKA PANS

Multipurpose and strong cover bag for all Muurikka pans. Protects pans against corrosion. Ideal for storage and carrying of Muurikka Pans and all accessories.



Cover Bag for Muurikka Griddle Pan 48 cm 01010107
Cover Bag for Muurikka Griddle Pan 58 cm 01010108

MUURIKKA LIDS

Versatile Lids for various Muurikka Pans and for other frying pans. Under the lid food is cooked in shorter time, and it keeps food warm longer.



Material: stainless steel

Muurikka Lids 44 cm to6165 • Muurikka Lids 58 cm to6166
Muurikka Lids 78 cm to6167

MUURIKKA WOK-PAN 9L WITH COVER BAG

You can make light wok dishes, and even many soups with this Wok-Pan. Suitable for open fire, gas burners and gas grills, and ideal for Muurikka Summer Kitchen Gas (not Electric).

Material: hot-rolled steel

Size: Ø 43 cm.



Muurikka Wok-Pan 9L with Cover Bag
01040196

MUURIKKA WOK-PAN 9L WITH LEGS

With three 22 cm screw-in legs.

Packed in a carton box.



Muurikka Wok-Pan 9L with Legs
01040195

MUURIKKA STEEL PAELLA PAN

40 cm, 50 cm, 60 cm ja 70 cm

High-quality Paella Pan, also for open fire. The elegant pan can also be used as a serving dish. Store in a dry place.

Material: cold-rolled steel



Muurikka Steel Paella Pan 40 cm 01010147 • Muurikka Steel Paella Pan 50 cm 01010150
Muurikka Steel Paella Pan 60 cm 01010160 • Muurikka Steel Paella Pan 70 cm 01010161

MUURIKKA STEEL WOK PAN

40 cm, 50 cm ja 60 cm

You can cook all kinds of wok dishes, and soups. Suitable also for open fire. Store in a dry place.

Material: cold-rolled steel



Muurikka Steel Wok Pan 40 cm 01010170 • Muurikka Steel Wok Pan 50 cm 01010171
Muurikka Steel Wok Pan 60 cm 01010172

MUURIKKA STEEL PAELLA PAN, NON-STICK

High quality Paella Pan with Non-Stick coating. Suitable for Electric Grill and for Muurikka Summer Kitchen Electric. Not recommended to use on gas grill, and not suitable for open fire.

Size: Ø 46 cm



Muurikka Steel Paella Pan, Non-Stick to6835

MUURIKKA CARBON STEEL PAELLA PAN

Made for rough use! For gas, electricity and open fire.

Diameter: 45 cm • **Material:** Carbon steel.



Muurikka Carbon Steel
Paella Pan 01010179

MUURIKKA STEEL WOKS AND PAELLA PANS – FIRST USE AND MAINTENANCE:

Before the first use:

Boil up some water in the pan. Then wash the pan with water and detergent. Dry the pan immediately after washing it. Do not leave it to dry outdoors. Oil the inner surface lightly with cooking oil (or Muurikka Silava Frying Fat). Fat protects against corrosion and improves the pan's frying qualities. Now your pan is ready for use. After each use, oil both the inner and outer surface of the pan lightly with oil.

Maintenance

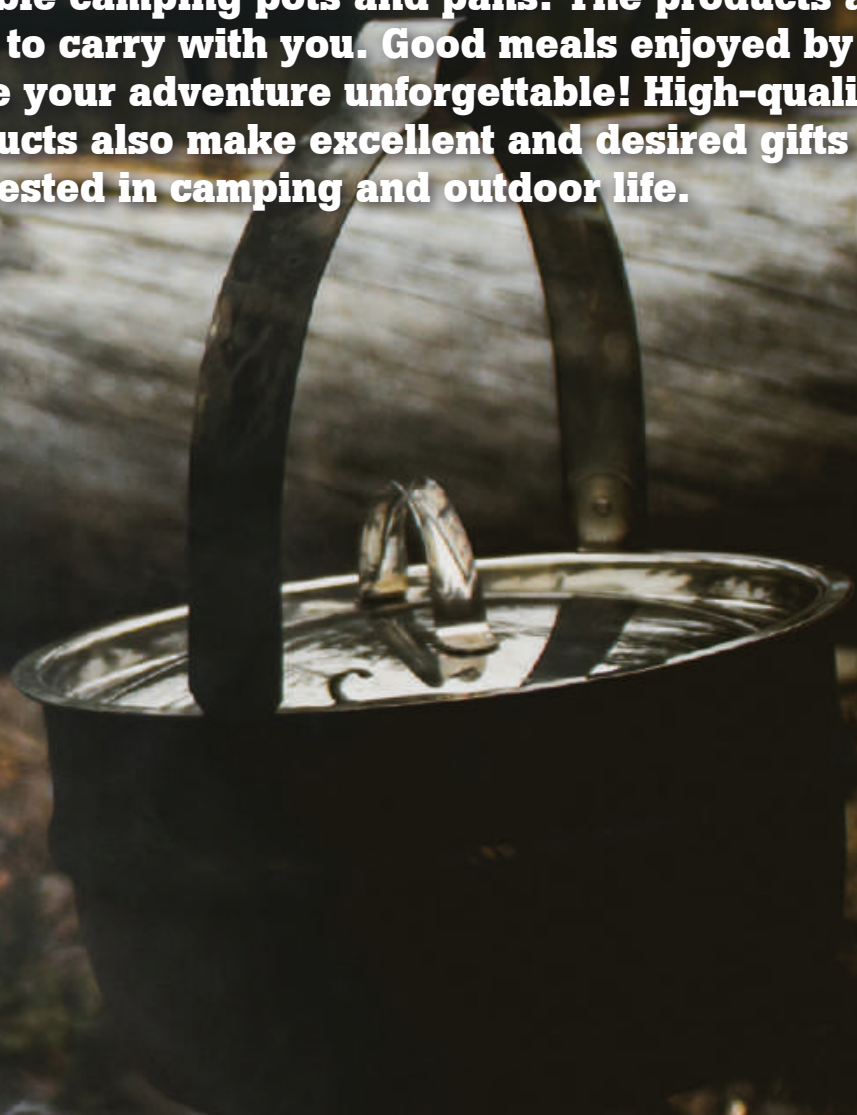
A product of this type has no non-stick coating. Therefore pieces of food may stick to the surface. These are easy to remove if you leave some water and detergent in the pan for about an hour to soften the food. Then wash the pan with water and detergent. If necessary, you can also clean the pan with a rough sponge or washing powder.

When the pan is clean, dry it immediately and oil both the inner and outer surface lightly. Wrap the pan in paper, put it in a plastic bag and store it in a dry and protected place. If the pan is not dried immediately after use, the inner surface may rust. Remove rust and/or burnt speckled brown layers of fat with a sponge, steel wool or a grill brush, wash with hot water and dry and oil the surface. A burnt speckled brown layer of fat that has formed on the surface as the pan has been used protects the pan against rust, and it is quite normal that the surface of a pan becomes multicoloured after the first use. Seasoning should be repeated whenever the layer has been damaged or washed off.



OUTDOOR AND PICNIC

Made for flames! Muurikka is known as a manufacturer of durable camping pots and pans. The products are light and easy to carry with you. Good meals enjoyed by the campfire make your adventure unforgettable! High-quality outdoor products also make excellent and desired gifts for those interested in camping and outdoor life.





Muurikka Picnic Grill TO6880

MUURIKKA PICNIC GRILL

The Picnic Grill is an easily transportable place for a campfire – just take it with you on trips or picnics, use it on the beach or in your boat. The Picnic Grill is safe to use and it leaves no traces in nature. The windshield covering and surrounding the fireplace protects the environment against glowing embers and sparks.

A wire rack with a handle is included. In the rack you can roast sausages and other titbits. Instead of the rack, the Muurikka Flat Pan 38 cm is also very suitable e.g. for frying pancakes for dessert. After use, the Picnic Grill is easy to clean by emptying the ash box found under the fireplace.

Height: 35 cm • **Diameter:** 33 cm
Rack diameter: 34 cm • **Weight:** 5 kg

A bag for carrying and storage is included



MUURIKKA CARBON STEEL CAMPING FRYING PAN

A high-quality carbon steel pan with a long, folding handle. In its handy protective bag, it's easy to take with you for a picnic, to the cottage or camp site.

Diameter: Ø 24 cm
Handle length: 42 cm



Muurikka Campfire Pan
 - Black Carbon Steel
 TO6882

GRILL FORK

Grill Fork with wooden handle.

Size: 80 cm



Grill Fork
 TO6902

MUURIKKA COOLER BAG

Muurikka Cooler Bag with adjustable and padded carrying strap. Inside the bag pockets for ice bricks. Food and drinks stay cool inside the cooler bag about 12 hours and warm about 6 hours.

Material: polyester
Size: 29 x 23 x 33 cm.



Kylmälaukku TO6901

MUURIKKA LEISKU CAMPFIRE FRYING PAN

Light frying pan for camping, hiking, boating and caravanning. Has a foldable handle and cover bag.

Material: hot-rolled steel, wooden handle
Size: Ø 26 cm
Weight: 1,1 kg.



Muurikka LEISKU Campfire Frying Pan
02020112

MUURIKKA CAMPFIRE FRYING PAN

Handy Campfire Pan needs very little space. You can make your own wooden handle and fasten it easily. New Carton Box package.

Material: hot-rolled steel
Size: Ø 23 cm
Weight: 0,5 kg.



Muurikka Campfire Frying Pan
to6849

MUURIKKA CAMPING SET

A light and compact set for the campfire. The set goes into a small space – the coffee pot fits into the saucepan. Included is a handy protective bag for the set. Use the loop to hang up the bag on the backpack. The bag also protects the other camping items against soot. The pan and saucepan are made of high-quality stainless steel, each has a hanging handle.

Weight: 0,74 kg

Muurikka Camping set TO6881



DESIGN[®]
FROM
FINLAND

NEW

MUURIKKA CAMPING COFFEE POT

Camping coffee pot 0.8 L, stainless steel. The small coffee pot is easy to have with you wherever you go. Shaped handle, easy to hang up above the fire.

Muurikka Camping Coffee Pot Te129.08/n



MUURIKKA CAMPFIRE CASSEROLE

Thin bottom heats up rapidly over an open fire.
Shaped handle, easy to hang over the fire.

Material: stainless steel
Volume: 2,3 L and 4,6 L.



Muurikka Campfire Casserole 2,3 L to146.23
Muurikka Campfire Casserole 4,6 L to146.46

MUURIKKA CAMPFIRE KETTLE

Versatile water/coffee kettle for outdoor use. Shaped handle, easy to hang over the fire.

Material: stainless steel
Volume: 1,5 L and 3,0 L

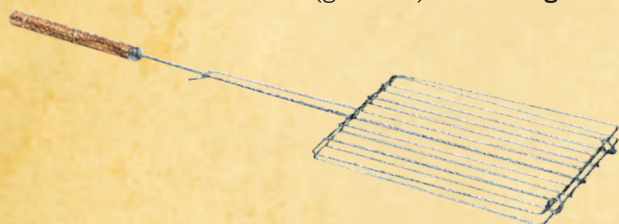


Muurikka Campfire Kettle 1,5 L te129.15/N
Muurikka Campfire Kettle 3 L te129.30/N

MUURIKKA GRID IRON

High-quality Grid Iron for open fire and on grills.

Material: stainless steel, wooden handle
Size: 19 cm x 28 cm (grill area) • **Total length:** 76 cm



Muurikka Grid Iron to6815



MUURIKKA BROILING BOARD WITH GROUND SPIKE

Suitable for use by the campfire.

Material: Finnish birchwood, frame of stainless steel
Size: broiling board 50 cm x 14 cm x 2 cm
Length of ground spike: 27 cm

Muurikka Broiling Board with Ground spike 43001250





ACCESSORIES

The experience of outdoor cooking is, of course, perfected by high-quality grilling tools and turners! When you cook with Muurikka, you need many kinds of tools – in our selections you'll find turners of different sizes, grill tongs, a turner for large pans, a grill fork, skewers, lighting tools and many other things.

MUURIKKA TURNER

This all-purpose spatula has the right amount of flexibility and strength for cooking and turning of steak, fish and other foods.

Material: stainless steel, wooden handle



Muurikka Turner 42 cm to6808
Muurikka Turner 48 cm to6811

MUURIKKA MULTI-FUNCTION SPATULA

Spatula with a wide blade for turning and portioning of food easily. With this Spatula, it is also easy to clean Muurikka Grill and Griddle Pans, and griddles, as sides of blade are designed for cleaning.

Material: stainless steel, wooden handle • **Size:** length 36 cm



Muurikka Multi-Function Spatula to6836

MUURIKKA SPATULA

The new size and shape of flexible blade makes it easier to use this spatula e.g. for flipping small pancakes. Ideal for use with the Muurikka Multifunctional Pan.

Material: stainless steel, wooden handle • **Size:** length 32 cm



Muurikka Spatula 1010119

MUURIKKA SPATULA

Spatula with flexible and long blade for many different kind of use.

Material: stainless steel, wooden handle • **Size:** length 46 cm



Muurikka Spatula 1010109

MUURIKKA GRILLING FORK

Strong Muurikka Grilling Fork with a handle that provides a firm grip.

Material: stainless steel, wooden handle

Size: length 33.5 cm



Muurikka Grilling Fork to6906

MUURIKKA WIDE SPATULA

Retro Design model of Muurikka Spatula with wide blade for turning and portioning of food easily. Ideal for use with the Original Muurikka 100 Pan.

Material: stainless steel, wooden handle • **Size:** length 33 cm



Muurikka Wide Spatula to6905

NEW

MUURIKKA LARGE SPATULA

New size and shape of Muurikka spatula for turning and portioning of food easily. Ideal for use with the Original Muurikka 100 Pan.

Material: stainless steel, wooden handle • **Size:** length 60 cm



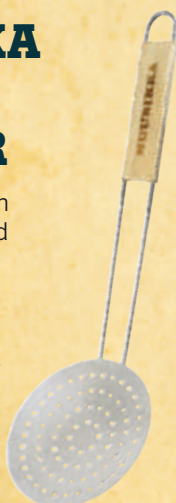
Muurikka Large Spatula to6904

MUURIKKA PAELLA SKIMMER

Large Skimmer which is ideal for mixing and portioning out e.g. paella type of food.

Material: stainless steel, wooden handle
Size: 38 cm

Muurikka Paella Skimmer to6837



MUURIKKA FISH HOLDER

This Fish Holder has firm grip on a shaped handle with rubber coating. The prongs are made of stainless steel, and the product is dishwasher-proof.

Muurikka Fish Holder to6703



MUURIKKA MUSHROOM KNIFE

Handy Mushroom Knife with an elegant and comfortable wooden handle, folding blade, cleaning brush, tweezers and hanging loop.

Package includes: cover bag with belt loop.
Material: stainless steel, wooden handle



Muurikka Mushroom Knife to6818

MUURIKKA GRILL TONGS

Grill Tongs of stainless steel. Can also be used as Salad Servers. Two sizes.

Muurikka Grill Tongs 29 cm to259
Muurikka Grill Tongs 38 cm to6814



MUURIKKA SKEWERS

4 pcs.

Strong and long steel skewers can hold a great number of food bits to be grilled. The flat shape of skewers helps food pieces remain in place while skewers are turned. Package has four skewers.

Material: stainless steel
Size: length 40 cm



Muurikka Skewers 4 pcs to6810

MUURIKKA GRILLING AND SMOKING GLOVE

Sturdy glove that makes a good grip. Neoprene material protects hand and stays clean. Heat resistance up to 260 Degrees C.

Material: Neoprene
Size: length approx 25 cm.



Muurikka Grilling and Smoking Glove to6819

MUURIKKA GRILL BRUSH

Grill Brush with scraper. Use this grill brush to remove the most difficult stains from your grills.

Material: brass (brush part), steel (scraper), wooden handle

Size: 31 cm



Muurikka Grill Brush to6816

MUURIKKA MULTICLEANER

Ecological Muurikka MultiCleaner is an effective substance with no perfumes, colouring agents or preservatives. It cleans, polishes and protects almost any kinds of surface, and removes ingrained stains and difficult dirt without corroding or scratching. Not for cleaning of Muurikka Griddle Pans.

Size: 400 g



Effective

Muurikka MultiCleaner 111340

MUURIKKA KINDLIN WOOD ROLLS

For lighting fireplaces, barbecues, campfires etc.

Material: pinewood mass soaked in paraffin wax.

Burning time: 8-10 minutes.

Package: 32 rolls.



Muurikka Kindlin Wood Rolls to6869

MUURIKKA LIGHTER BLOCKS

Eco-friendly lighter block with candlewick. Odourless, drip free and safe to use with no flash risk. Not sensitive to moisture or mechanical stress.

Burning time: 12 minutes
Package: box of 20 pieces



Muurikka Lighter Blocks to6870

MUURIKKA WIRELESS MEAT THERMOMETER

This digital Thermometer shows you the exact temperature of the food you are grilling or smoking even at a distance of 20 meters. Batteries are included.



Muurikka Wireless Meat Thermometer to6807

MUURIKKA MEAT THERMOMETER

Traditional digital Meat Thermometer shows you exactly when your food is done.



Muurikka Meat Thermometer to6806

MUURIKKA APRON

Muurikka Apron with two pockets and strings to be tied.

Material: 65 % polyester, 35 % cotton twill • **Size:** one size
Length: 89 cm • **Width:** 75 cm



Muurikka Apron to6805

MUURIKKA CHOPPING BOARD

Material: Acacia wood

Size: 38 cm x 30 cm x 2 cm



Muurikka Chopping Board to6803

MUURIKKA SUMMER KITCHEN CASSEROLE

15 L

Casserole for easy outdoor boiling while cooking or grilling. Compatible with Muurikka Summer Kitchen Gas, and Gas Burners of models: D-300 and D-400. Suitable also for cookers and for open fire.

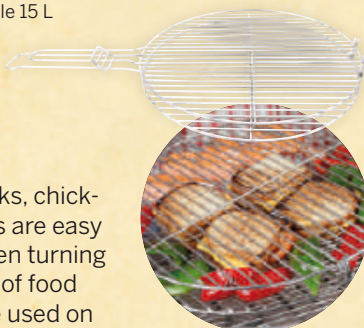
Material: stainless steel

Muurikka Summer Kitchen Casserole 15 L
te149.150K



MUURIKKA GRILSTER

With Muurikka Grilster steaks, chickens, fish, sausages or toasts are easy to grill on both sides, as when turning with grilster there is no risk of food falling down. Grilster can be used on all kind of grills and over an open fire. When opened, Grilster can be used as an ordinary griddle.



Muurikka Grilster to6817

WARMING PLATE FOR MUURIKKA PANS

Warming Plate for a variety of Muurikka pans. There is a place for six tealight candles on the plate. Keeps food warm and creates a nice atmosphere. Package is without tealight candles.

Material: stainless steel

Size: Ø 32 cm



Muurikka Warming Plate to692

MUURIKKA BLANCHING BASKET

Blanching Basket for Muurikka Summer Kitchen Casserole. The Basket makes it easy to rinse and strain mushrooms, shellfish and other foods.

Material: stainless steel

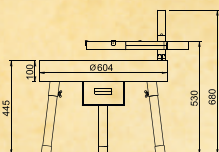


Muurikka Blanching to159.32

Tundra Grills

Place your Tundra Grill in your garden, outside your cottage or wherever people gather to cook and enjoy good food together. All Tundra Grills are made of durable, high-quality Finnish steel in Finland. Our durable quality is guaranteed by careful product testing, first-class materials, strict quality control and thorough assembly.





TUNDRA GRILL® NOTSKI

Tundra Grill Notski – your ready-to-use campfire pit! The Tundra Grill Notski is a compact and easily movable firebowl. It has one swing-out skillet for different kinds of Muurikka pans.

Notski is a ready-to-use campfire pit with sufficient air supply, which makes it easier to light a campfire. Notski is easy to place in the desired location, and ready for use.

Notski is very easy to assemble and disassemble for storage, and it does not take up much storage space. Notski is made of high-quality Finnish steel, and its surfaces have been treated with highly heat-resistant coating.

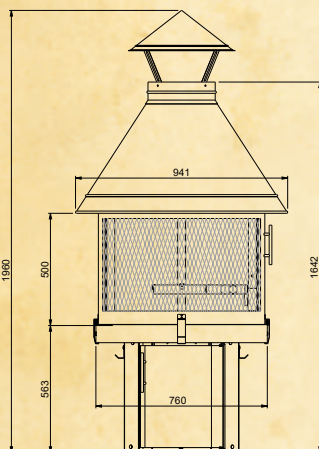
The basic equipment includes

- 1 height adjustable shelf
- 1 ash box
- 1 poker
- 1 reversible grate

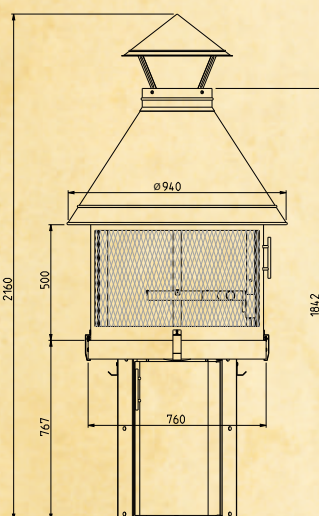
Material: steel

Dimensions: firebowl Ø 60 cm
working height is adjustable between 53-63 cm
Swing-out Skillet Ø 25 cm

Tundra Grill Notski, 43006100



TUNDRA GRILL® CITY
LOW MODEL



TUNDRA GRILL® CITY
HIGH MODEL

TUNDRA GRILL® CITY

The new Tundra Grill City is a combination of Tundra Grill cooking facilities and an outdoor fireplace creating a warm atmosphere. As its name indicates, the Tundra Grill City is also designed for urban surroundings – the compact model is ideal for terraces or outside summerhouses, detached or terraced houses.

The Tundra Grill City has a fire screen that can be turned 360 degrees around the fireplace and through which the burning fire is beautifully visible. The fire screen is easy to turn aside for example while poking the fire or cooking, and it also protects the terrace and surroundings against burning sparks.

The fire burning in the Grill is well protected against wind by a windshield that reaches up to the upper edge of the smoke hood. Made of thick, high-quality Finnish steel.

Material: steel • **Colours:** ●

The basic equipment includes:

- 1 smoke hood
- 1 rain cap
- 1 turnable, height-adjustable shelf
- 1 Muurikka Pan 38 cm
- 1 pack of Muurikka kindling
- 1 ash box
- 1 poker with hooked end
- 1 turnable grate



**TUNDRA GRILL® CITY
HIGH MODEL**

Dimensions: total Ø 94 cm
firebowl Ø 58 cm
working height 80 cm

Tundra Grill® City, High model
43006050



**TUNDRA GRILL® CITY
LOW MODEL**

Dimensions: total Ø 94 cm
firebowl Ø 58 cm
working height 56 cm

Tundra Grill® City, Low model
43006000

TUNDRA GRILL® 25TH ANNIVERSARY MODEL

The Anniversary Model of the traditional Tundra Grill 80 developed to commemorate the 25th Anniversary of the Tundra Grill. The smoke hood is available in the following colours: Impressive antique silver and traditional black. Made of thick, high-quality Finnish steel.

The Tundra Grill® Anniversary Model includes:

- 1 smoke hood
- 1 rain cap
- 2 turnable, height-adjustable shelves
- 1 coffee kettle hook
- 1 1½ l campfire coffee kettle
- 1 Muurikka Pan 38 cm
- 1 pack of Muurikka kindling
- 1 broiling board
- 1 sausage frame
- 1 ash box
- 1 poker with hooked end
- 1 turnable grate

*coffee kettle hook and
campfire coffee kettle
included*



TUNDRA GRILL® 80 25TH ANNIVERSARY MODEL LOW MODEL

Material: steel • **Colours:** ●●
Dimensions: total Ø 94 cm
firebowl Ø 80 cm
working height 45 cm

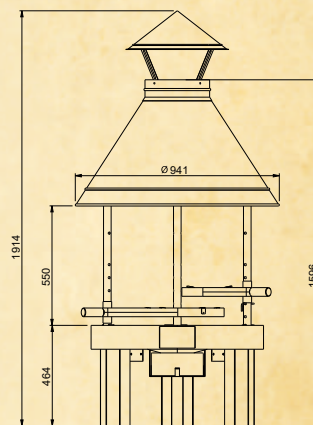
Tundra Grill® 25th Anniversary model, low model,
black 43001267
Tundra Grill® 25th Anniversary model, low model,
antique silver 43001266



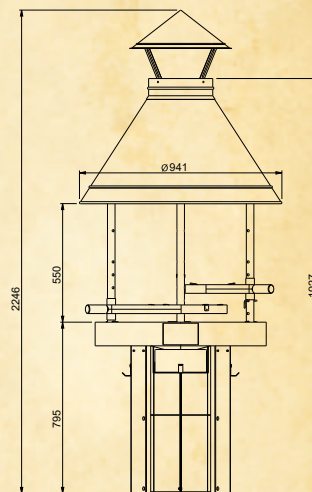
TUNDRA GRILL® 80 25TH ANNIVERSARY MODEL HIGH MODEL

Material: steel • **Colours:** ●●
Dimensions: total Ø 94 cm
firebowl Ø 80 cm
working height 80 cm

Tundra Grill® 25th Anniversary model, high model, black
43001268
Tundra Grill® 25th Anniversary model, high model,
antique silver 43001269



TUNDRA GRILL® 80
25TH ANNIVERSARY MODEL
LOW MODEL



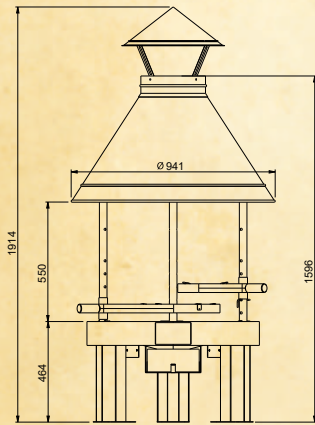
TUNDRA GRILL® 80
25TH ANNIVERSARY MODEL
HIGH MODEL

TUNDRA GRILL® 80

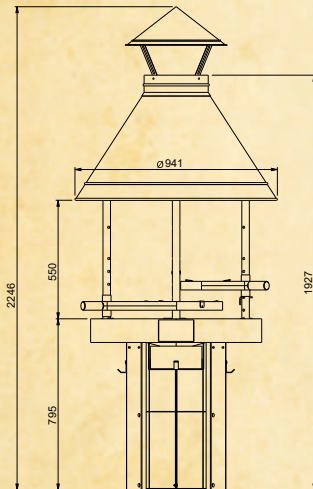
Tundra Grill Model Basic 80 and 100 are available as a low version with three-legged stand, and as a high version with shelved stand. Swing-out skillets can be adjusted by putting the pin into desired height of the pole.

Tundra Grill Model Basic:

- Hood and Rain Cap
- Three adjustable swing-out Skillets, wooden Handles and Pins
- Two Fish Broiling Boards with Frame
- Original Muurikka Pan
- Barbecue Rack Ø 38 cm of stainless steel
- Ash Rake, Ash Pan, reversible Grate



TUNDRA GRILL®
MODEL BASIC 80 LOW



TUNDRA GRILL®
MODEL BASIC 80 HIGH



TUNDRA GRILL® MODEL BASIC 80 LOW

Material: steel • **Colours:** ● ● ●
Dimensions: total Ø 94 cm
firebowl Ø 80 cm
working height 45 cm

Tundra Grill Model Basic 80 Low, black
43001270
Tundra Grill Model Basic 80 Low, antique copper
43001271
Tundra Grill Model Basic 80 Low, stainless steel
43001272



TUNDRA GRILL® MODEL BASIC 80 HIGH

Material: steel • **Colours:** ● ● ●
Dimensions: total Ø 94 cm
firebowl Ø 80 cm
working height 80 cm

Kotakeittiö 80 Korkea, musta
43001273
Kotakeittiö 80 Korkea, antiikkikupari
43001274
Kotakeittiö 80 Korkea, ruostumaton teräs
43001275

TUNDRA GRILL® 100

Tundra Grill Model Basic 80 and 100 are available as a low version with three-legged stand, and as a high version with shelved stand. Swing-out skillets can be adjusted by putting the pin into desired height of the pole.

Tundra Grill Model Basic:

- Hood and Rain Cap
- Three adjustable swing-out Skillets, wooden Handles and Pins
- Two Fish Broiling Boards with Frame
- Original Muurikka Pan
- Barbecue Rack Ø 38 cm of stainless steel
- Ash Rake, Ash Pan, reversible Grate



TUNDRA GRILL® MODEL BASIC 100 LOW

Material: steel • **Colours:** ● ● ●
Dimensions: total Ø 108 cm
 firebowl Ø 96 cm
 working height 45 cm

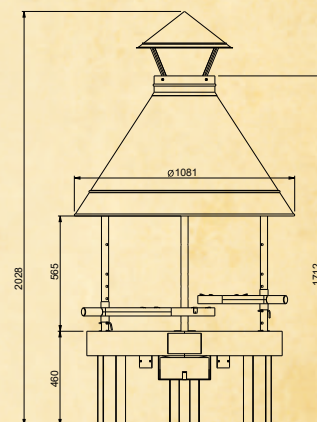
Tundra Grill Model Basic 100 Low, black
 43001276
 Tundra Grill Model Basic 100 Low, antique copper
 43001277
 Tundra Grill Model Basic 100 Low, stainless steel
 43001278



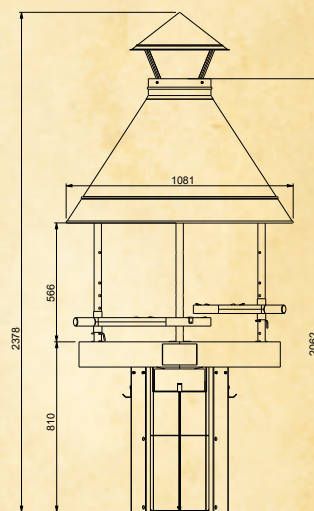
TUNDRA GRILL® MODEL BASIC 100 HIGH

Material: steel • **Colours:** ● ● ●
Dimensions: total Ø 108 cm
 firebowl Ø 96 cm
 working height 80 cm

Tundra Grill Model Basic 100 High, black
 43001279
 Tundra Grill Model Basic 100 High, antique copper
 43001280
 Tundra Grill Model Basic 100 High, stainless steel
 43001281



TUNDRA GRILL®
MODEL BASIC 100 LOW



TUNDRA GRILL®
MODEL BASIC 100 HIGH

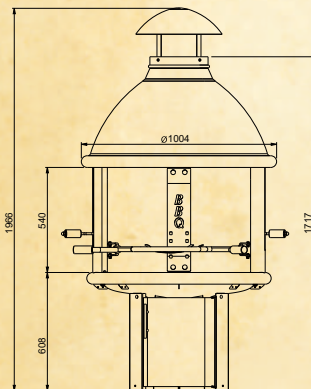
TUNDRA GRILL® BBQ

Tundra Grill Model BBQ is the flagship product combining the modern design and excellent usability. BBQ has a lifting mechanism of skillets, which makes it easier to cook your dishes at a right temperature.

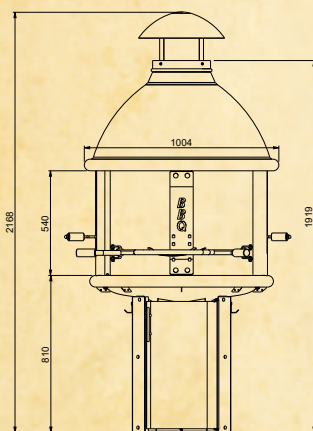
Tundra Grill BBQ models are available as a low version with a conical stand, and as a high version with door-stand. Swing-out skillets can be adjusted by lifting mechanism.

Tundra Grill Model BBQ:

- Hood and Rain Cap
- Two adjustable swing-out Skillets with a lifting Mechanism, wooden Handles
- Two Fish Broiling Boards with Frame
- Cast Iron Grid with Handle
- Barbecue Rack Ø 38 cm of stainless steel
- Ash Rake, Ash Pan, reversible Grate



TUNDRA GRILL®
MODEL BBQ LOW



TUNDRA GRILL®
MODEL BBQ HIGH

Myös matala malli ovelisella jalalla



TUNDRA GRILL® MODEL BBQ LOW

Material: steel • **Colours:** ● ●
Dimensions: total Ø 100 cm
firebowl Ø 80/95 cm
working height 60 cm

Tundra Grill® Model BBQ Low, black
43001465
Tundra Grill® Model BBQ Low, antique copper
43001485

TUNDRA GRILL® MODEL BBQ HIGH

Material: steel • **Colours:** ● ●
Dimensions: total Ø 100 cm
firebowl Ø 80/95 cm
working height 80 cm

Tundra Grill® Model BBQ High, black
43001420
Tundra Grill® Model BBQ High, antique copper
43001440

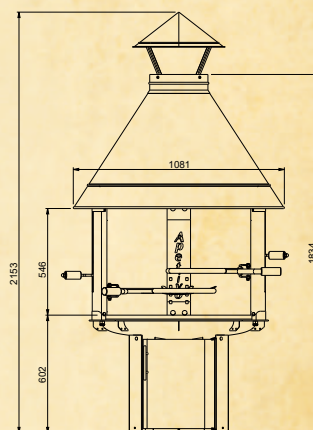
TUNDRA GRILL® APETIVO

Tundra Grill Model Apetivo has an excellent usability with a lifting mechanism, which makes it easier to cook your dishes at a right temperature.

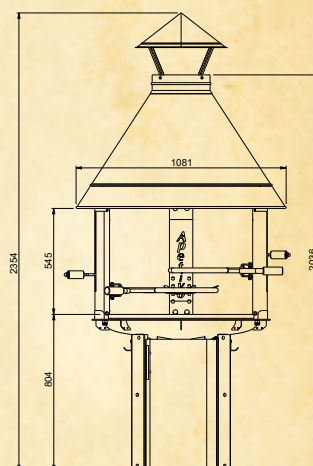
Tundra Grill Model Apetivo is available as a low and high version, both with a conical stand. Swing-out skillets can be adjusted by the lifting mechanism.

Tundra Grill Model Apetivo:

- Hood and Rain Cap
- Two adjustable swing-out Skillets with a lifting Mechanism, wooden Handles
- Two Fish Broiling Boards with Frame
- Barbecue Rack Ø 38 cm of stainless steel
- Ash Rake, Ash Pan, reversible Grate



TUNDRA GRILL®
MODEL APETIVO LOW



TUNDRA GRILL®
MODEL APETIVO HIGH

TUNDRA GRILL® MODEL APETIVO LOW

Material: steel • Colours: ● ● ●

Dimensions: total Ø 108 cm
firebowl Ø 80/95 cm
working height 60 cm

Tundra Grill® Model Apetivo Low, black 43001314
Tundra Grill® Model Apetivo Low, antique copper 43001315
Tundra Grill® Model Apetivo Low, stainless steel 43001316

TUNDRA GRILL® MODEL APETIVO HIGH

Material: steel • Colours: ● ● ●

Dimensions: total Ø 108 cm
firebowl Ø 80/95 cm
working height 80 cm

Tundra Grill® Model Apetivo High, black 43001317
Tundra Grill® Model Apetivo High, antique copper 43001318
Tundra Grill® Model Apetivo Low, stainless steel 43001319

TUNDRA GRILL® HEAVY DUTY

Tundra Grill Model Heavy Duty, HD, is designed particularly for heavy and regular use, as the firebowl is made of thicker material. Swing-out skillets can be adjusted by putting the pin into desired height of the pole.

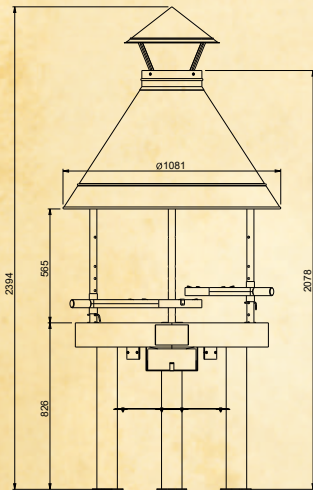
High three-legged stand

Material: steel • **Colours:** ● ● ● ●

Dimensions: total Ø 108 cm • firebowl Ø 96 cm working height 80

Tundra Grill Model Heavy Duty

- Hood and Rain Cap
- Three adjustable swing-out Skillets, wooden Handles and Pins
- Two Fish Broiling Boards with Frame
- Original Muurikka Pan
- Barbecue Rack Ø 38 cm stainless steel,
- Ash Rake, Ash Pan, reversible Grate



TUNDRA GRILL®
HEAVY DUTY



Tundra Grill Heavy Duty, black 43001289
Tundra Grill Heavy Duty, antique copper 43001290
Tundra Grill Heavy Duty, stainless steel 43001291

TUNDRA GRILL® GARDEN

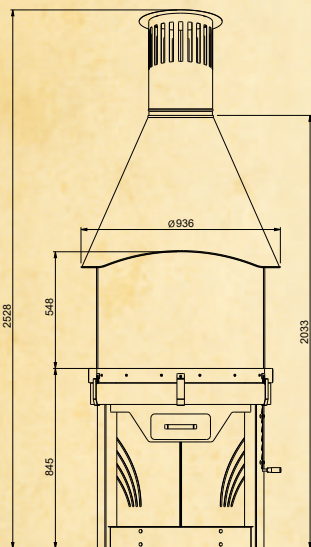
Tundra Grill Model Garden brings everyday luxury to outdoor cooking. The unique arc shaped rotating glass door guarantees the comfort and safety, when using it in the garden, at the terrace or in a summerhouse. Ceramic heat resistant fire bricks reserve and release heat evenly around the fireplace for your comfort.

Garden is easy to use and maintenance, and has one skillet with an easy lifting mechanism.

Material: steel, ceramic fire bricks, high heat resistant glass
Colour: ● **Dimensions:** total Ø 94 cm • firebowl Ø 65 cm

Tundra Grill Model Garden:

- Hood with double layer and Rain Cap
- Arc shaped protective Glass
- Heat reserving Fire Bricks
- One adjustable Skillet
- Two Fish Broiling Boards with Frame
- Barbecue Rack Ø 38 cm of stainless steel
- Ash Rake, Ash Pan and Grate



TUNDRA GRILL® GARDEN



TUNDRA GRILL® GARDEN, black 43001500





Take good care of your Tundra Grill!

Made of high-quality materials, the Tundra Grill resists time, wear and tear. With regular maintenance, your Tundra Grill will last a lot longer, and you will always be sure to have an excellent product for cooking.

Maintenance:

After use, always carefully remove the ashes from the furnace in the Tundra Grill. Before doing so, make sure that there are no glowing embers, cinders or other burning material that could start a fire. The easiest way to remove the ashes is to brush the ashes down into the ash pan through the hole in the middle of the furnace. It is easy to empty the ash pan e.g. into a metal bucket. Please note that the ash pan may be hot, so use an oven glove when you lift the ash pan. If your Tundra Grill is not to be used for some time, you can grease the furnace lightly with cooking oil. Oil protects the furnace surface against rust and corrosion.

It is also a good idea to clean the surface of the smoke hood, the frying surfaces and the foot part regularly. You can use a moistened cloth to clean these

surfaces. If there is ingrained dirt on the surfaces, you can add a small drop of detergent to the water.

If your Tundra Grill should get scratched or some of the paint should wear in spite of your maintenance, we recommend that you touch up the worn painted surface with Tundra Grill touch-up paint as soon as possible. First carefully remove the soot and the fat from the spot to be touched up, and let it dry. If the worn spot is already rusty, remove the rust carefully before painting. When the spot is clean and dry, treat it with Tundra Grill touch-up paint according to the instructions on the package. The paint is available through our dealers, at Opa Muurikka shops and online.

NOTE! The only Tundra Grill touch-up paint available is black

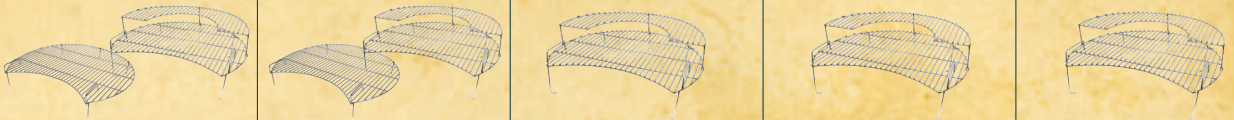
MUURIKKA

TUNDRA GRILL® Accessories and Equipment

Wind Deflector



**TUNDRA GRILL®
Grill grating 68 cm
A grill grating with
two shelves 58 cm**



**Saslik skewer
set and barbe-
que skewers**



**Muurikka Campfire
Casserole and
Campfire Kettles**



**Muurikka Summer
Kitchen Casserole
15 l**



**Muurikka
Smoking
Container**



**Muurikka Paella
Pans, steel and
Muurikka Steel
Wok**



**Muurikka
Wok Pan**



**Muurikka
Universal Pan,
Grill Pan,
Paella Pan,
cast iron**



**Original
Muurikka Pans**



**TUNDRA GRILL®
MODELS**

Choose extra equip-
ment and accesso-
ries for your Tundra
Grill, as well as com-
patible Muurikka
products.



**TUNDRA GRILL®
80, 100, HD &
ANNIVERSARY**

**TUNDRA GRILL®
BBQ & APETIVO**

**TUNDRA GRILL®
GARDEN**

**TUNDRAGRILL®
CITY**

**TUNDRA GRILL®
NOTSKI**

CHIMNEY SET

The outer flue included in the chimney set assembly can only be used in buildings with no heat insulation or suspended ceilings. When planning to install Tundra Grill in a building with heat insulation or suspended ceilings, a custom-made fire-insulated bushing is needed. Please always observe local fire safety regulations when installing Tundra Grill fireplace indoors.

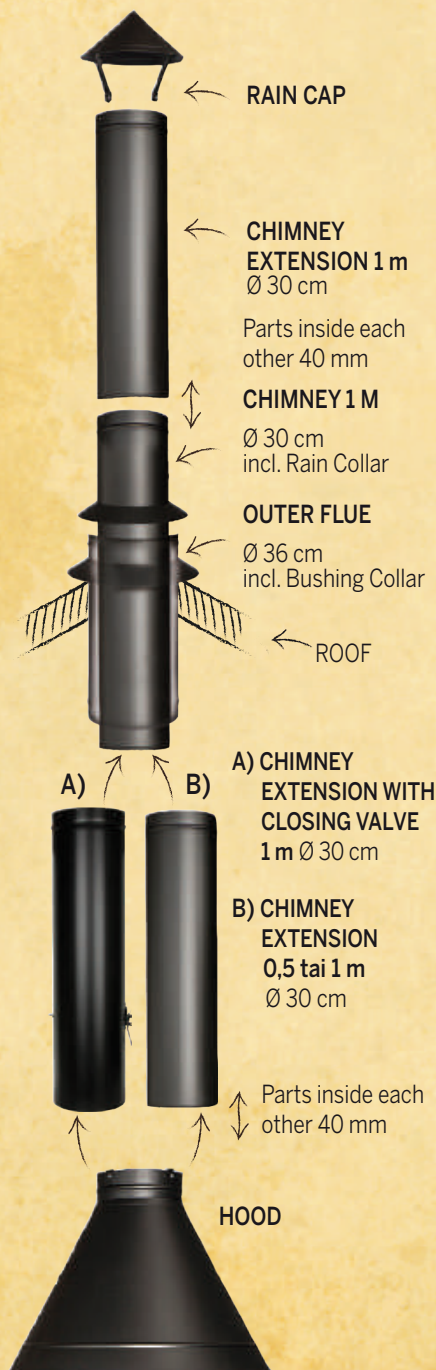
Outer Flue The purpose of the outer flue is to secure that the chimney to be led through the roof will be at a safe distance from the roof structures. The outer flue should be slipped through a hole made in the roof from the outside into the building. The flue will then hang by its bushing collar on the rooftop. The chimney extensions should be slipped through the outer flue from the outside into the building and fastened to the Tundra Grill hood.

Chimney Extensions The number of chimney extensions needed inside the building is obtained by measuring the total distance from the ceiling to the upper edge of the hood. Please always observe local fire safety regulations when planning the chimney extension above the rooftop. The chimney draws better when the height of the chimney on the roof exceeds the minimum requirements.

When calculating the total dimensions and number of the chimney extensions needed, it should be considered that each coupling point of extensions makes the chimney's total height 40 mm smaller. We recommend that all joints between chimney extensions be secured with drilling sheet metal screws or heat-resistant glue paste so the chimney will stay in place even in stormy weather.

The rain collar should be fastened to the chimney above the outer flue. Its purpose is to prevent rainwater from coming into the building through the gap between the chimney and the outer flue.

With the closing valve chimney you can regulate draught and heat inside the building. The valve must be open whenever there is fire in the Tundra Grill. While the valve is closed, more heat will remain inside the building. With the shutter valve, small animals and litter can be prevented from entering the building through the chimney.



CHIMNEY SET FOR TUNDRA GRILL® 1 M + 0,5 M



Material: steel • **Colour:** ● ● ● ● ●
Dimensions: 1 m + 0,5 m
Set includes: Outer flue (Ø 36 cm) with Bushing Collar, Chimney Extension with Rain Collar (Ø 30 cm, 1 m), Extension Chimney (Ø 30 cm, 0,5 m)

Chimney Set For Tundra Grill 1m+0,5m black 43001155
 Chimney Set For Tundra Grill 1m+0,5m antique copper 43001255
 Chimney Set For Tundra Grill 1m+0,5m antiikkihopea 43001167
 Chimney Set For Tundra Grill 1m+0,5m stainless steel 43001355

CHIMNEY SET FOR TUNDRA GRILL® 2 X 1 M



Material: steel • **Colour:** ● ● ● ● ●
Dimensions: 2 x 1 m
Set includes: Outer flue (Ø 36 cm) with Bushing Collar, Chimney Extension with Rain Collar (Ø 30 cm, 1 m), Extension Chimney (Ø 30 cm, 1 m)

Chimney Set For Tundra Grill 2x1m black 43001153
 Chimney Set For Tundra Grill 2x1m antique copper 43001253
 Chimney Set For Tundra Grill 2x1m antiikkihopea 43001166
 Chimney Set For Tundra Grill 2x1m stainless steel 43001353

CHIMNEY EXTENSION FOR TUNDRA GRILL® 0,5 OR 1 M



Material: steel • **Colour:** ● ● ● ● ●
Dimensions: 0,5 m tai 1 m

Chimney Extensiopn For Tundra Grill 0,5 m black 43001188
 Chimney Extensiopn For Tundra Grill 0,5m antique copper 43001288
 Chimney Extensiopn For Tundra Grill 0,5m antiikkihopea 43001170
 Chimney Extensiopn For Tundra Grill 0,5m stainless steel 43001388
 Chimney Extensiopn For Tundra Grill 1m black 43001165
 Chimney Extensiopn For Tundra Grill 1m antique copper 43001265
 Chimney Extensiopn For Tundra Grill 1m antiikkihopea 43001168
 Chimney Extensiopn For Tundra Grill 1m stainless steel 43001365

CHIMNEY EXTENSION WITH CLOSING VALVE FOR TUNDRA GRILL® 1 M



Material: steel • **Colour:** ● ● ● ● ●
Dimensions: 1 m

Chimney Extension With Closing Valve For Tunda Grill black 43001182
 Chimney Extension With Closing Valve For Tunda Grill antique copper 43001282
 Chimney Extension With Closing Valve For Tunda Grill antiikkihopea 43001169
 Chimney Extension With Closing Valve For Tunda Grill stainless steel 43001382



The insulated chimneys are designed to be used in buildings in which chimneys must be fire insulated (e.g. buildings with ceilings and insulated buildings). When designing an installation, pay attention to the particular requirements applying to the building. Please contact your local fire authorities for detailed instructions.



TUNDRA GRILL® INSULATED CHIMNEY SET

Material: stainless steel, aluzink and fire-resistant mineral wool • **Colour:** ●
Dimensions: 1 m

Contents: chimney inner pipe Ø 300 mm outside diameter 350 mm • fire-resistant mineral wool 25 mm • density 125 kg/m³

Contains: insulated chimney 1 m, carrying collar, fitting parts Ø 300 mm for Tundra chimneys x 2

Piippuputki on sateelta suojattu

TUNDRA GRILL® Insulated chimney SE43001310



TUNDRA GRILL® INSULATED EXY- ENSION CHIMNEY 1 M / 0.5 M

Material: stainless steel, aluzink and fire-resistant mineral wool • **Colour:** ●

Contains: insulated chimney 1 m or 0.5 m chimney inside diameter 300 mm outside diameter 350 mm fire-resistant mineral wool 25 mm, density 125 kg/m³

TUNDRA GRILL® Insulated exyension chimney 0,5 m 43001312
 TUNDRA GRILL® Insulated exyension chimney 1 m 43001311



SIDE TABLES

Side tables are a convenient equipment to the Tundra Grill. The side tables functions as a small worktop and creates extra space for additional grilling utensils during cooking, and works as serving trays while eating.





TUNDRA GRILL® SIDE TABLES FOR MODEL BASIC 80/100

Material: laminated birch / pinewood

Colours: hazel-colored wood-oil

Measurements: Thickness 12 mm - 18 mm - 20 mm

Width: 210 mm • Length: 590 mm

Tundra grill® side tables for models BASIC 80/100

laminated birch, hazel-colored wood-oil 43001411

Tundra grill® side tables for models BASIC 80/100

pinewood, hazel-colored wood-oil 43001412



TUNDRA GRILL® SIDE TABLES FOR MODELS BASIC 80/100 AND HEAVY DUTY

Material: laminated birch

Colour: hazel-colored wood

Measurements: Thickness 120 mm • Width: 350 mm • Length: 760 mm

Tundra grill® side tables for models BASIC 80/100 and HEAVY DUTY

laminated birch hazel-colored wood 43001424



TUNDRA GRILL® SIDE TABLES FOR MODELS BBQ AND APETIVO

With folding mechanism

Material: pinewood

Colours: hazel-colored wood-oil

Measurements: Thickness 250 mm • Width: 210 mm • Length: 750 mm

Tundra grill® side tables for models BBQ and APETIVO 43001134



Fireplace Bowls and Floor Protection Sheets

The replaceable Fireplace Bowl is installed on the old bowl. In the middle of the old bowl, a piece as large as the ash door is cut off and the new bowl is installed so that the ash door of the new bowl goes through the hole.

TUNDRA GRILL® FIREPLACE BOWL 80

Installation requires an angle grinder.

Material: steel • Colour: ●

Dimensions: firebowl Ø 80 cm



Tundra Grill Fireplace Bowl 80 black
43001171

TUNDRA GRILL® FIREPLACE BOWL 100

Installation requires an angle grinder.

Material: steel • Colour: ●

Dimensions: firebowl Ø 96 cm



Tundra Grill Fireplace Bowl 100 black
43001172

TUNDRA GRILL® FIREPLACE BOWL BBQ & APETIVO

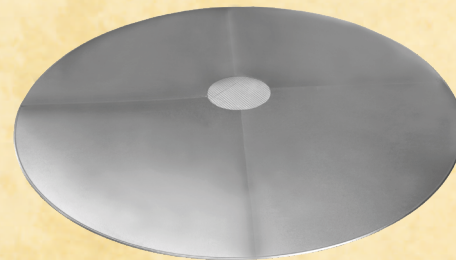
Installation requires an angle grinder.

Material: steel • Colour: ●

Dimensions: firebowl Ø 80 cm



Tundra Grill Fireplace Bowl BBQ & Apetivo 43001175



TUNDRA GRILL® FLOOR PROTECTION SHEETS

For Models Basic 80 and Notski

Material: sinkitty tai ruostumaton teräs • Mitat: Ø 180 cm

Tundra Grill Floor Protection Sheet 180 zink 43001431

Tundra Grill Floor Protection Sheet 180 stainless steel 43001433

For Models Basic 100, BBQ and Apetivo

Material: zinc or stainless steel • Measurement: Ø 200 cm

Tundra Grill Floor Protection Sheet 200 zink 43001432

Tundra Grill Floor Protection Sheet 200 stainless steel 43001434

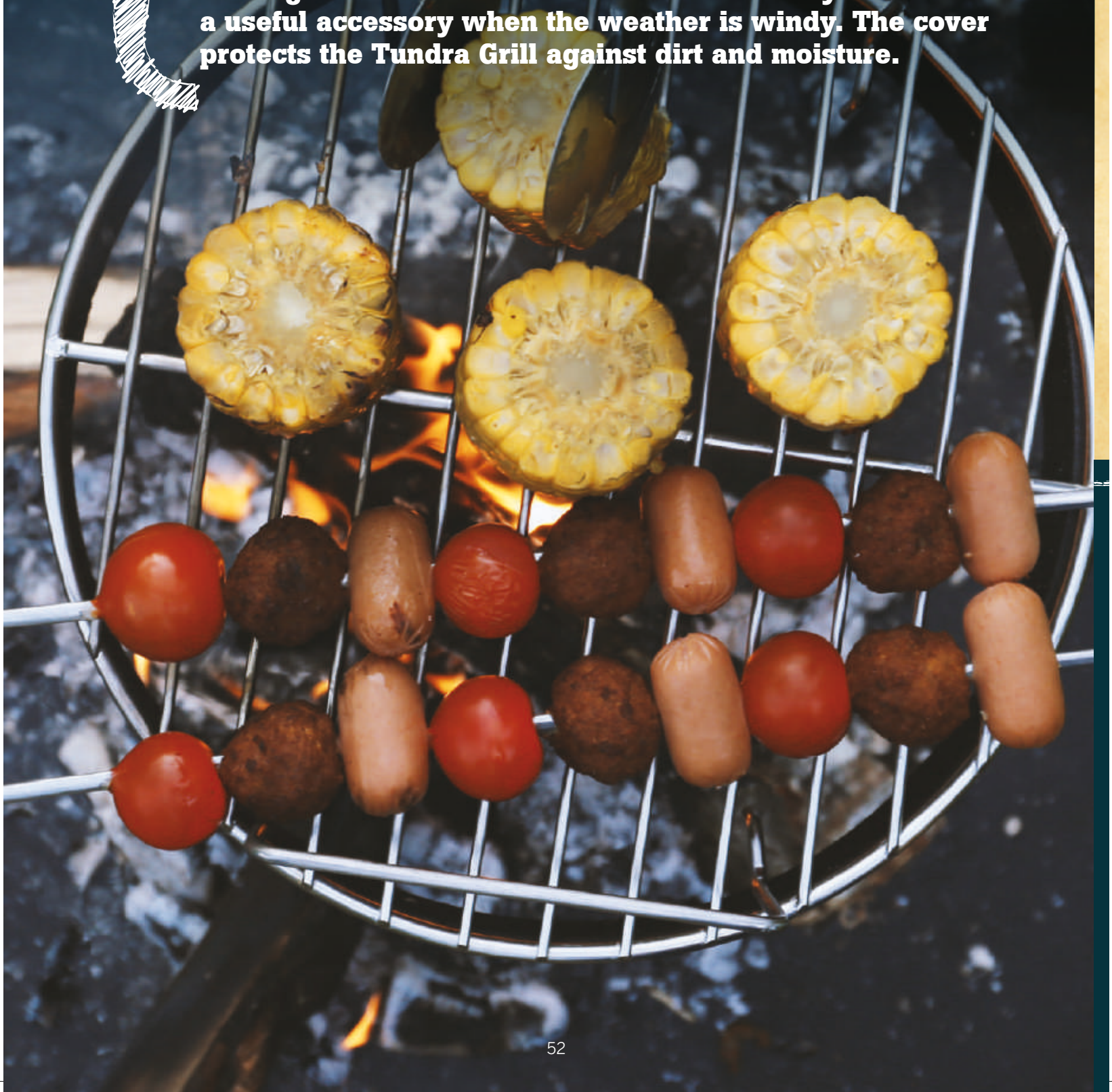
FIREPLACE BOWLS

The new bowl has slots for the poles of the grilling shelves. With the help of these slots, the new bowl can be placed on the old bowl. The new bowl has been placed correctly when the welds of the old and the new bowl are aligned. To install the new bowl, you will need an angle grinder to cut out the necessary piece of the old bowl.



Equipment

A wide selection of different accessories is available for Tundra Grills. Muurikka pans, a smoking container, paella and wok pans for your Tundra Grill. On the large grating, you can make delicious dishes for a large number of people, with the broiling board you can easily flame-cook salmon on the edge of the grill. And a campfire coffee kettle for making dessert coffee! The windshield is easy to move and a useful accessory when the weather is windy. The cover protects the Tundra Grill against dirt and moisture.



TUNDRA GRILL® WIND DEFLECTOR



Suitable for all models

Material: steel

Dimensions: 30 x 62,5 cm

Tundra Grill Wind Deflector
43001149

TUNDRA GRILL® PROTECTIVE COVER



Suitable for all models

Material: teflon/polyester

Colour: Black

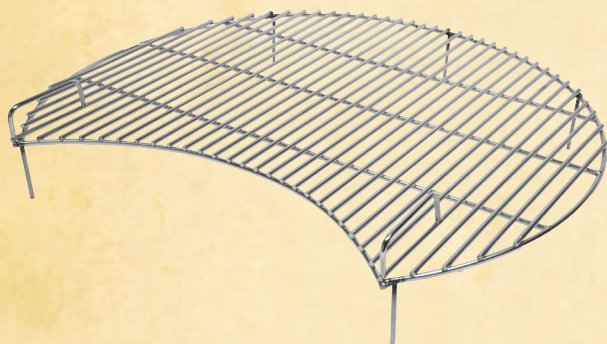
Tundra Grill Protective Cover
43001400

TUNDRA GRILL® GRILL GRATING 68 CM

A 68 cm grating for all Tundra Grill models
(except Garden, City and Picnic)

Material: Stainless steel • **Size:** Ø 68 cm

Tundra Grill Grating stainless steel
43001130



TUNDRA GRILL® BARBECUE RACK

Material: stainless steel

Dimension: Ø 38 cm

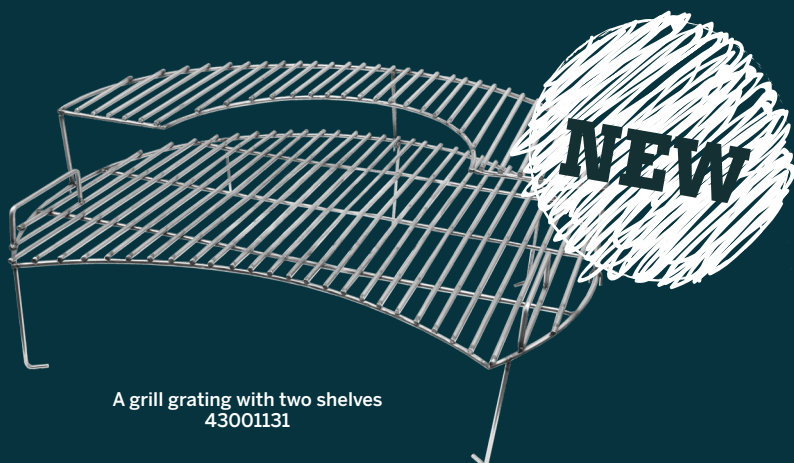
Tundra Grill Barbecue Rack
43001194



A GRILL GRATING WITH TWO SHELVES

A grill grating with two shelves for all Tundra Grill models.
The top grating may be removed.

Diameter: 58 cm • **Height:** 22 cm



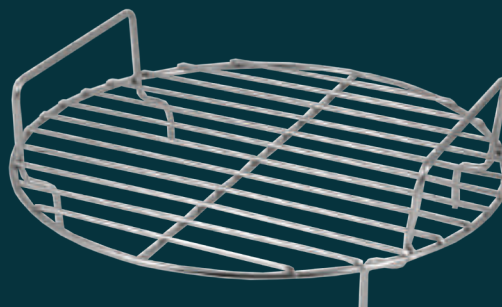
A grill grating with two shelves
43001131

TUNDRA GRILL® GRATING 25 CM

Material: Stainless steel

Diameter: 25 cm

For the Tundra Grill models: Picnic, City, 80,
100 and Heavy Duty

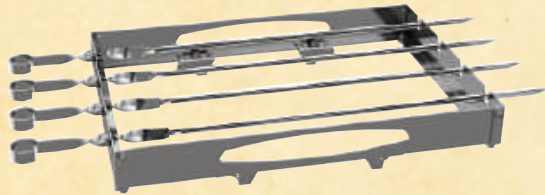


Tundra Grill® grating 25 cm 43001195

TUNDRA GRILL® SASLIK SKEWER SET

Is placed on the swing-out skillet.

Material: stainless steel • **Set:** 4 pcs skewers and frame



Tundra Grill Saslik Skewer Set
43001402

TUNDRA GRILL® SASLIK SKEWER SET

Is placed on the bottom of the firebowl.

Material: stainless steel • **Set:** 7 pcs skewers and frame



Tundra Grill Saslik Skewer Set
43001426



TUNDRA GRILL® SKEWER SET

Skewers can be used with the metal holder of Fish Broiling Boards.

Material: stainless steel • **Set:** 6 pcs of skewers • **Length:** 53cm

Tundra Grill Skewer Set 43001189

TUNDRA GRILL® BARBECUE SKEWER

Suitable for models BBQ and Apetivo

Material: stainless steel



Tundra Grill Barbeque Skewer
43001174

TUNDRA GRILL® BARBECUE SKEWER

For models Basic 80/100 and Heavy Duty

Material: stainless steel



Tundra Grill Barbeque Skewer
43001157

TUNDRA GRILL® BROILING BOARD

Suitable for all Tundra Grill models.

Material: wood, frame is of stainless steel
Size: 50 x 14 x 2 cm.

Tundra Grill Broiling Board 43001142



MUURIKKA ASH BUCKET

An ash bucket with a tight lid and a wooden carrying handle.

Volume: 25 L

Muurikka Ash bucket to6907





Croissants on shashlik skewers

- croissant pastry, 1 can
- sugar, 1 tbs
- cinnamon, 1 tsp
- strawberry jam
- fresh strawberries
- foil

Open the can correctly and spread out the pastry. Sprinkle with cinnamon and sugar. Cut into six slices along the dotted lines. Wrap a piece of foil around a shashlik skewer. Wrap a slice of pastry around the skewer with the sugar side inwards. Grill on the embers and keep turning. Serve with the jam and strawberries.



Make the burgers in the Multifunctional Pan in the Tundra Grill

Tundra burgers (4 persons)

- minced beef (17 %), 400 g
- salt, $\frac{3}{4}$ tsp
- pepper
- bacon, 4 slices
- 4 eggs
- salsa sauce, $\frac{1}{4}$ dl
- mayonnaise, $\frac{1}{2}$ dl
- 1 tomato
- sliced Cheddar processed cheese
- baby spinach
- 4 hamburger rolls

1. Mix the minced beef, salt and pepper in a bowl. Shape four patties of the minced beef. Fry the patties in the Muurikka Multifunctional Pan. Place a slice of Cheddar processed cheese on each fried patty to melt for a moment.
2. Fry the bacon slices crisp in the Muurikka Pan.
3. Cook omelettes in the Muurikka Multifunctional Pan, add a little salt.
4. Mix the salsa sauce and mayonnaise together. Slice the hamburger rolls and heat them on the grating for a moment.
5. Place a patty with Cheddar, a slice of bacon, an omelette, tomato and baby spinach between two slices. Enjoy!

Like us on Social Media!



Facebook:
[facebook.com/
muurikkasuomi](https://facebook.com/muurikkasuomi)



Instagram:
[muurikkasuomi](https://www.instagram.com/muurikkasuomi)



YouTube:
[Muurikka-channel](https://www.youtube.com/channel/Muurikka-channel)

MUURIKKA™

www.muurikka.fi

Opa Muurikka Ltd

Opa Muurikka Ltd. is a member of Pislä Group.